
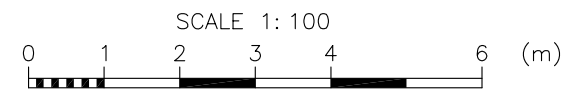
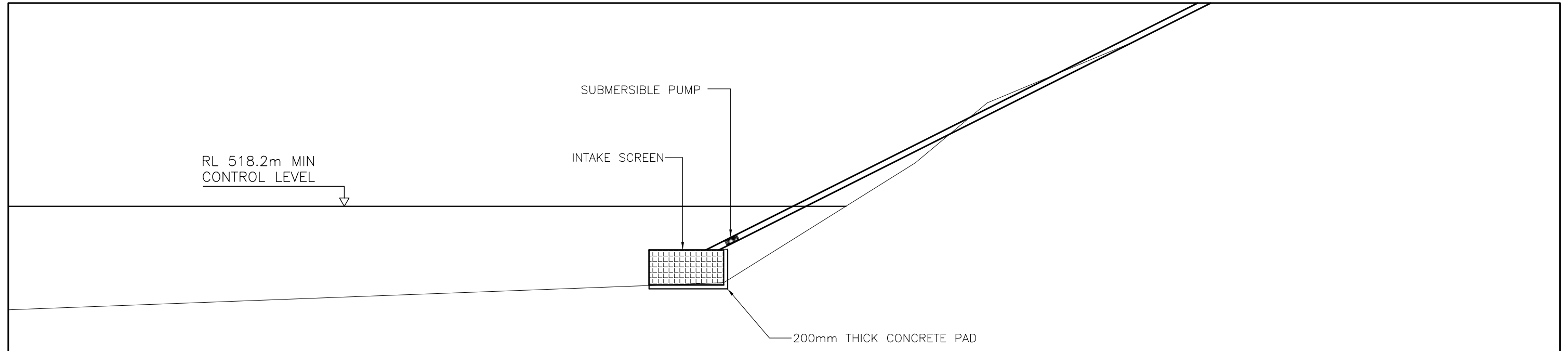


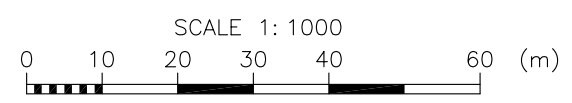
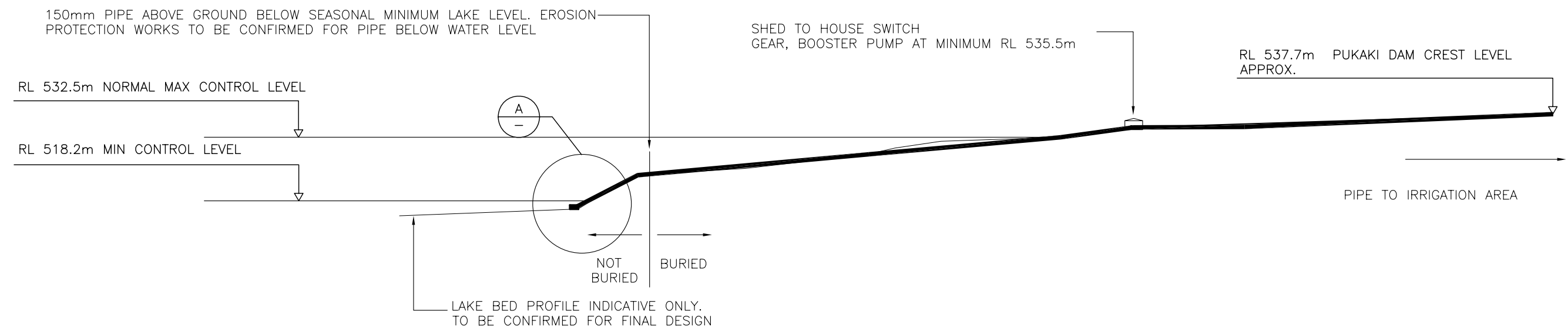
**LOCATION PLAN**  
SCALE 1:20000

**NOT FOR CONSTRUCTION**

DESIGN CHECKED TS		APPROVED FOR ISSUE:		 P.O. BOX 4355 CHRISTCHURCH TEL. 03-3794402 FAX. 03-3794403	TITLE		CADFILE 09809_2-01&02 SCALES (A3) AS SHOWN DRAWING No. 09809/2-01 REV. 2
DRAWN CHECKED HN		<b>DRAFT</b>			MACKENZIE IRRIGATION COMPANY LTD. GLENTANNER STATION LTD. LAKE PUKAKI INTAKE CONCEPT DRAWING PLAN		
1	REVISION ONE	AW	18.6		DATE: / /		
0	FIRST ISSUE						
REV	DESCRIPTION	BY	DATE				



**DETAIL** A  
SCALE 1:100



**CROSS SECTION**  
SCALE 1:1000

**NOT FOR CONSTRUCTION**

DESIGN	CHECKED	APPROVED FOR ISSUE:
TS		<b>DRAFT</b>
DRAWN	CHECKED	
HN		
DATE DRAWN		DATE: / /
MAY 09		
REV	DESCRIPTION	BY DATE
1	REVISION ONE	AW 18.6
0	FIRST ISSUE	

DESIGN	CHECKED	APPROVED FOR ISSUE:
TS		<b>DRAFT</b>
DRAWN	CHECKED	
HN		
DATE DRAWN		DATE: / /
MAY 09		
REV	DESCRIPTION	BY DATE
1	REVISION ONE	AW 18.6
0	FIRST ISSUE	

**DRAFT**

**RILEY** CONSULTANTS  
P.O. BOX 4355 CHRISTCHURCH  
TEL. 03-3794402 FAX. 03-3794403

TITLE  
**MACKENZIE IRRIGATION COMPANY LTD.**  
**GLENTANNER STATION LTD.**  
**LAKE PUKAKI INTAKE CONCEPT DRAWING SECTION**

CADFILE	DRAWING No.	REV.
09809_2-01&02	09809/2-02	2
SCALES (A3)	ACENZ	
AS SHOWN		