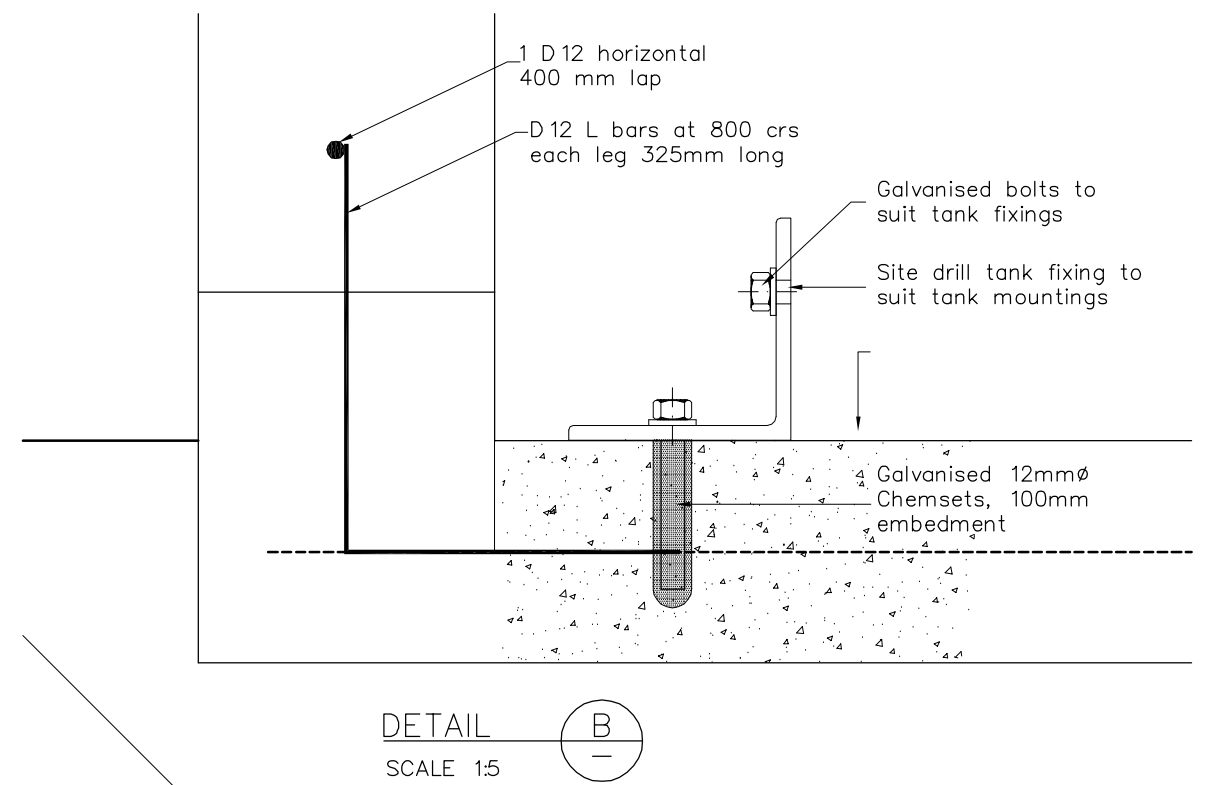
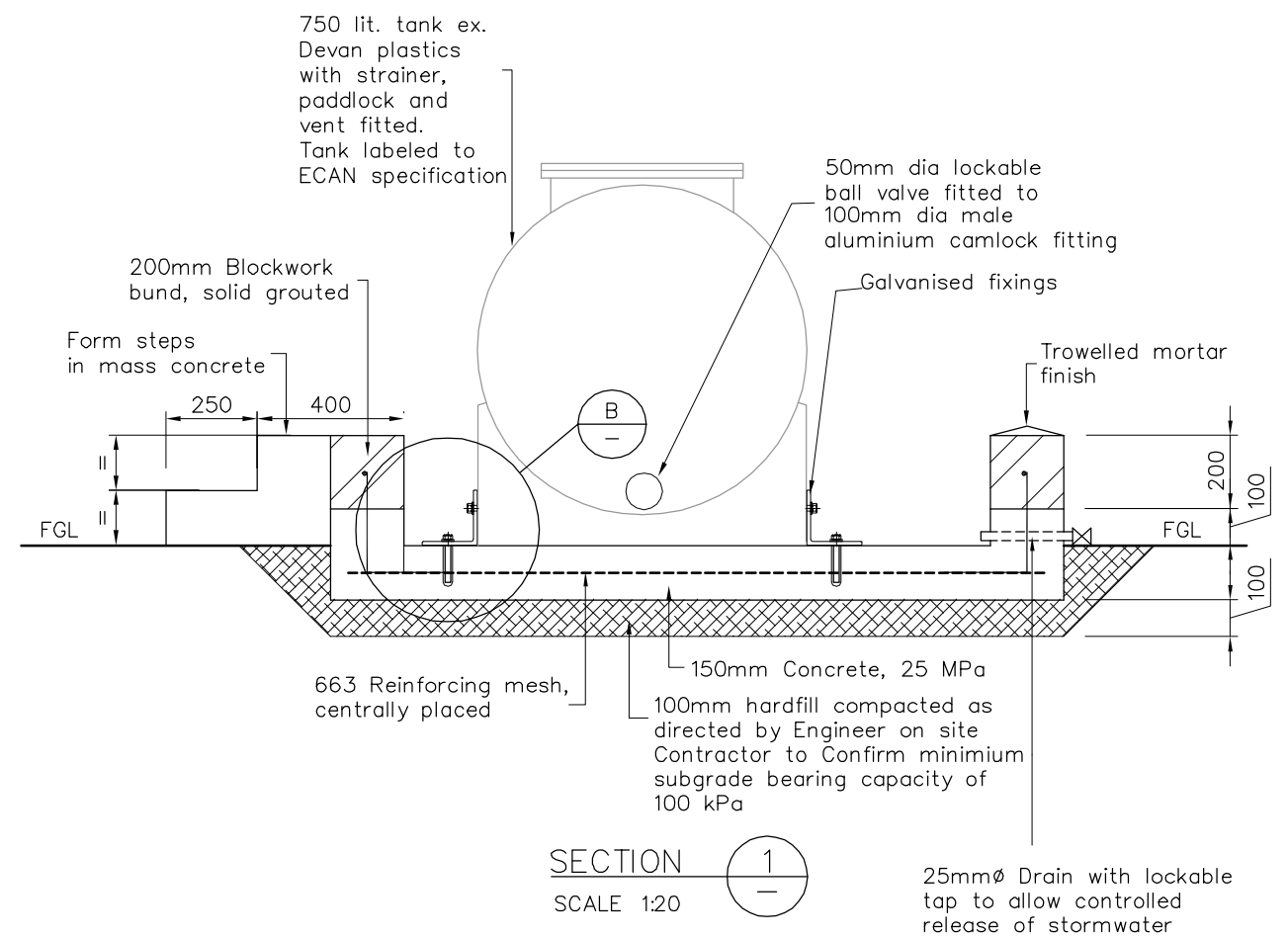
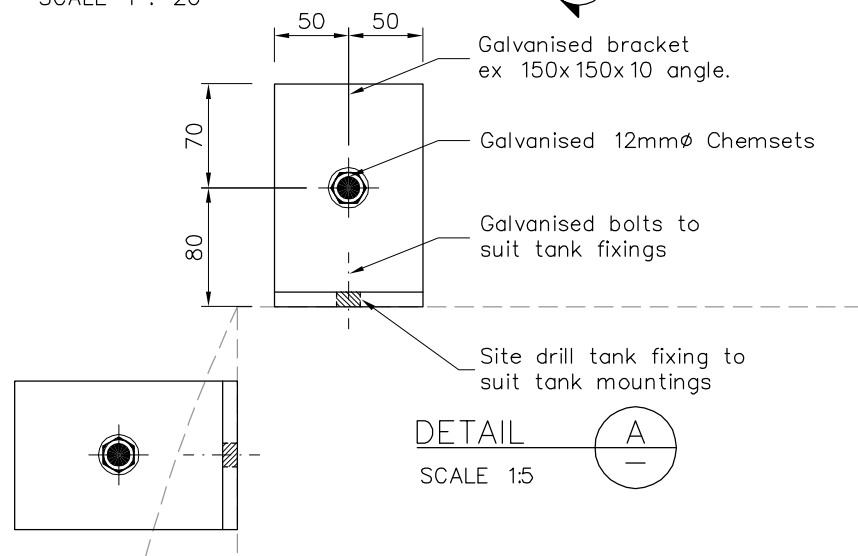


TANK FOUNDATION LAYOUT

SCALE 1 : 20



DESIGNED :	SFP	05/02
DRAWN :	MPP	05/02
DESIGN CHECKED :		
DRAFTING CHECKED :		
CADFILE : 50500-01		
APPROVED :		
This drawing is not to be used for construction purposes unless signed as approved		
REVISION DESCRIPTION	BY	DATE
0 For Construction		

NOTES :

- All dimensions are in millimetres unless noted otherwise.
- Concrete strength = 25 MPa - foundations, 17.5 MPa - solid grout.
- Blockwork is of Firth 20 Series blocks, laid in accordance with Firth specifications.
- Setout brackets on site to suit Devan 750 lit. tank fixings.

REFERENCE :

Tonkin & Taylor
Environmental & Engineering Consultants

Auckland 19 Morgan St. Newmarket
Tel. (09) 355 6000 Fax. (09) 307 0265
Email : auck@tonkin.co.nz

Wellington Christchurch Hamilton Nelson Whangarei

CLIENT, PROJECT	ENVIRONMENT CANTERBURY
TITLE	HAZARDOUS WASTE STORAGE FACILITIES
TITLE	GENERIC DESIGN FOR USED OIL STORAGE FACILITY
SCALES (AT A3 SIZE)	AS SHOWN
DWG. No.	50500-01
REV.	0